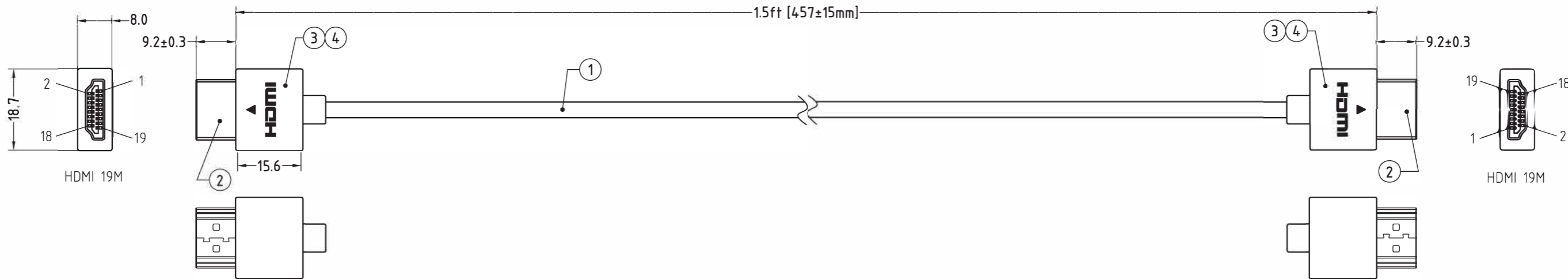


NOTE: ALL MATERIAL COMPLIANT ROHS STANDARD

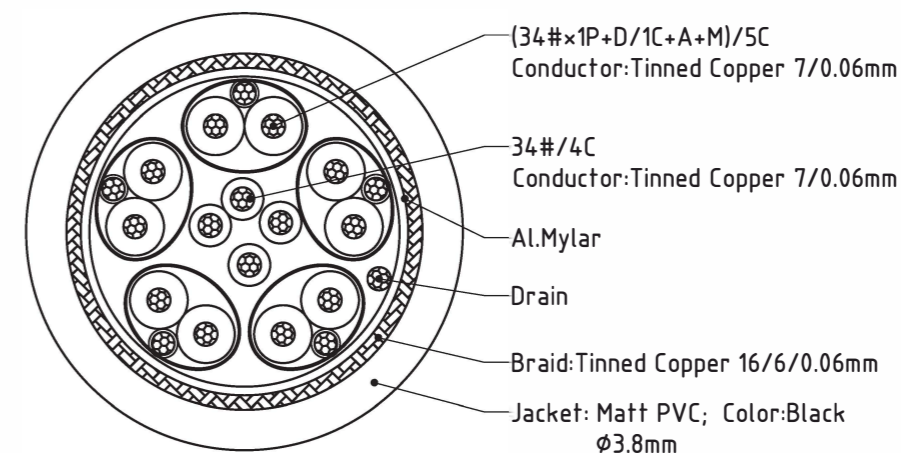
REVISION INFORMATION			
Rev.	Rev. Date	Modified By	Brief Description



**PIN ASSIGNMENT (1.4v)**

HDMI 19M	Color	HDMI 19M
3	Red	3 TMDS data2-
1	White	1 TMDS data2+
2	Drain	2 TMDS data2 Shield
6	Green	6 TMDS data1-
4	White	4 TMDS data1+
5	Drain	5 TMDS data1 Shield
9	Blue	9 TMDS data0-
7	White	7 TMDS data0+
8	Drain	8 TMDS data0 Shield
12	Brown	12 TMDS Clock-
10	White	10 TMDS Clock+
11	Drain	11 TMDS Clock Shield
19	Black	19 HPD/ HEAC-
14	White	14 Utility/ HEAC+
17	Drain	17 DDC/CEC/HEAC GND
13	White	13 CEC
15	Yellow	15 SCL
16	Orange	16 SDA
18	Green	18 +5V Power
SHELL	Braid	SHELL

**Wire Details**



**Electrical character:**

- 1) 100% Open/short/Intermittent testing
- 2) Withstanding voltage: DC 300V AT 10ms.
- 3) Insulation resistance: 10M Ohm(min)
- 4) Residual operating current:
  - a. <1M=0.5mA; b. 1.0~2.0M=1.0mA;
  - c. 2.0~3.0M=2.0mA; d. 3.0~5.0M=3.0mA;
  - e. 5.0~10M=5.0mA; f. 10~15M=7.0mA;
- 5) Conductive resistance: 5 Ohm(Max)
- 6) 100% **1080P, 3D, 4K@60Hz testing**

NO.	PART NAME	SPECIFICATION DESCRIPTION	QTY	UNIT
①	Cable	UL20276[34#(7/0.06TC)/1P+D+A+M]/5C+34#(7/0.06TC)/4C+A+D+B(16/6/0.06TC) OD:3.8mm Jacket: Black PVC		
②	HDMI_Conn	HDMI A/M, PIN G/F, Black Insulation, Steel-Shell(G/F Plated), Solder type		
③	Innermold	PE, Low density		
④	Overmold	PVC, 45Pa, Black		

Unless specified on the drawing, tolerances are per the follows:

.	+1
.x	+0.2
.xx	+0.05

**LANshack**

Sales@LANshack.com | 888-568-1230

DRAWN BY	DATE: 2019/06/13	DESCRIPTION: HDMI A/M TO HDMI A/M Thin Cable
CHECKED BY	SHEET 1of2	ITEM NO. LSHDMMXX
APPROVED BY	SCALE None	REV. 0.0 UNIT:mm